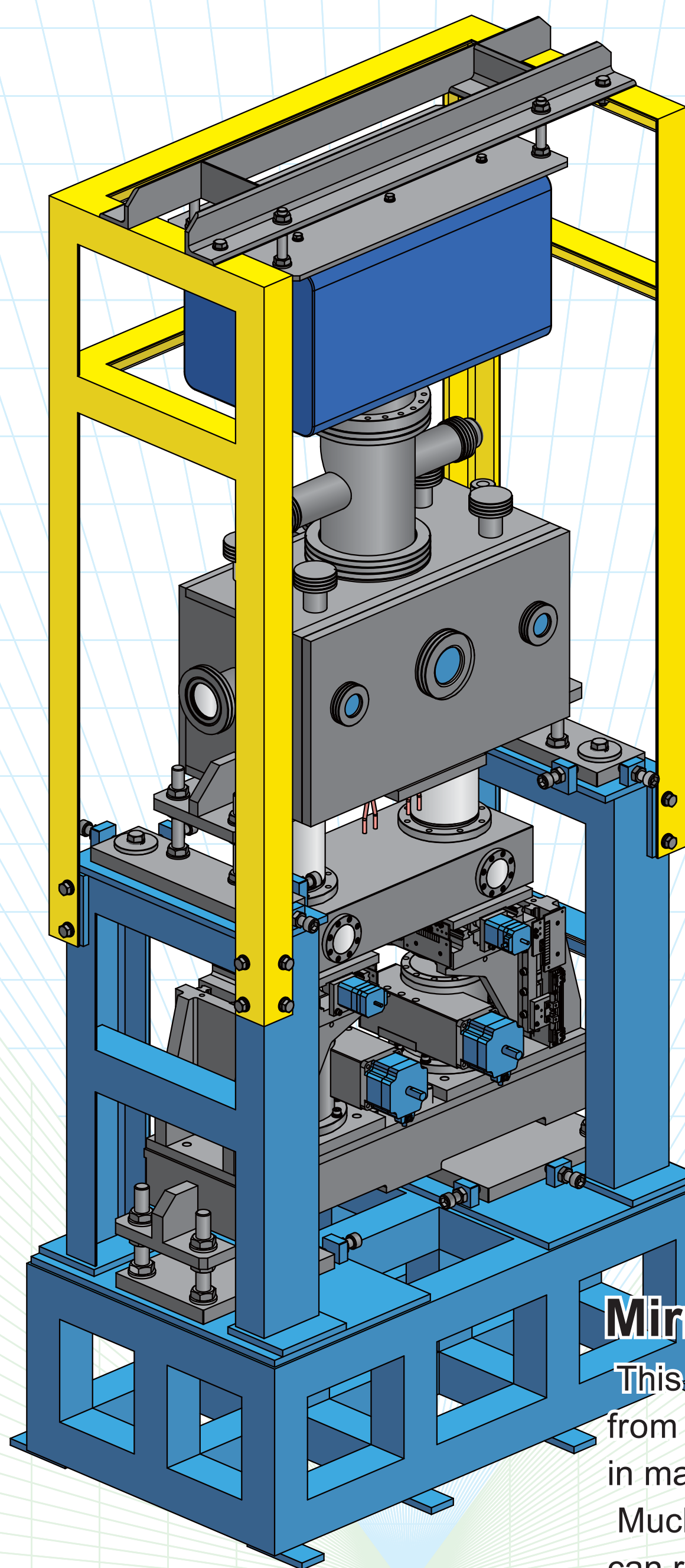


Toyama always puts the top priority on the customers' convenience and satisfaction in the product line of SR beamline components, which can be recognized as a result to be the fruits of continuous joint development with researchers for many years.

Their excellent performances are proved by the rich delivery records for not only SPring-8 but also many domestic and foreign SR facilities.

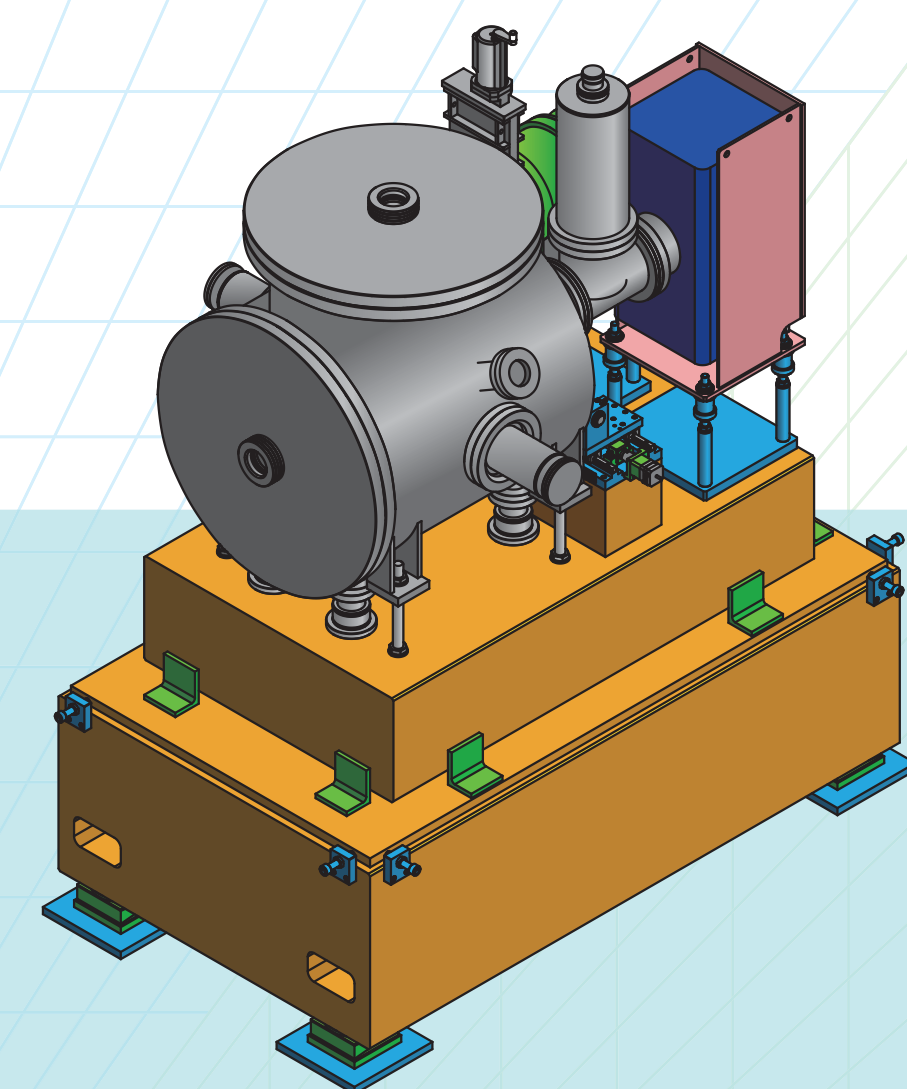
As for XFEL components which require higher grade in specifications, variety kinds of research and development activities and trial manufacturing have already begun and under way as scheduled to be in the final target date of commissioning start.



Mirror Positioning System

This is an upgraded mirror positioning system for XFEL modified from Toyama's standard type systems which are widely applied in many undulator beamlines of SPring-8.

Much more precise positioning and higher stability of the system can realize very sharp focus and excellent alignment for XFEL.



XFEL Double Crystal Monochromator

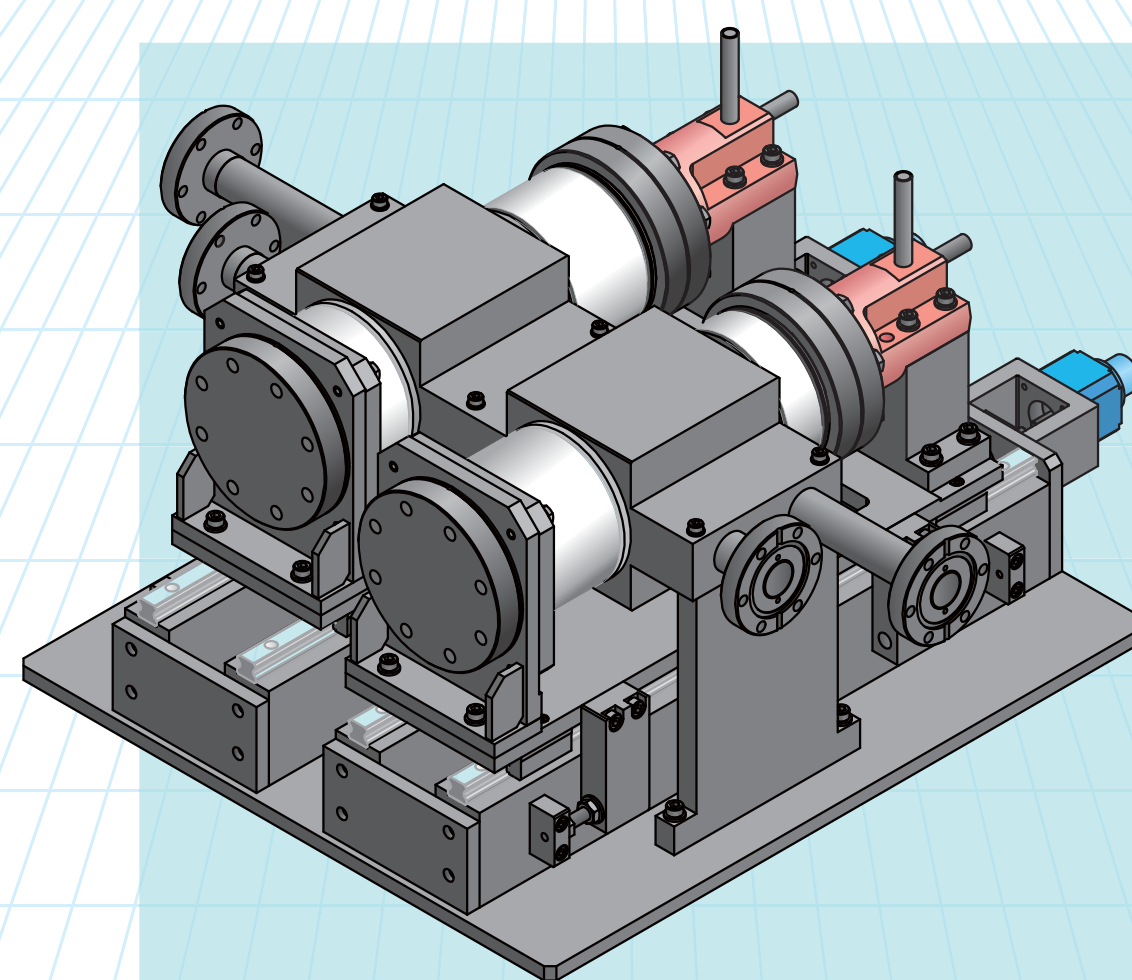
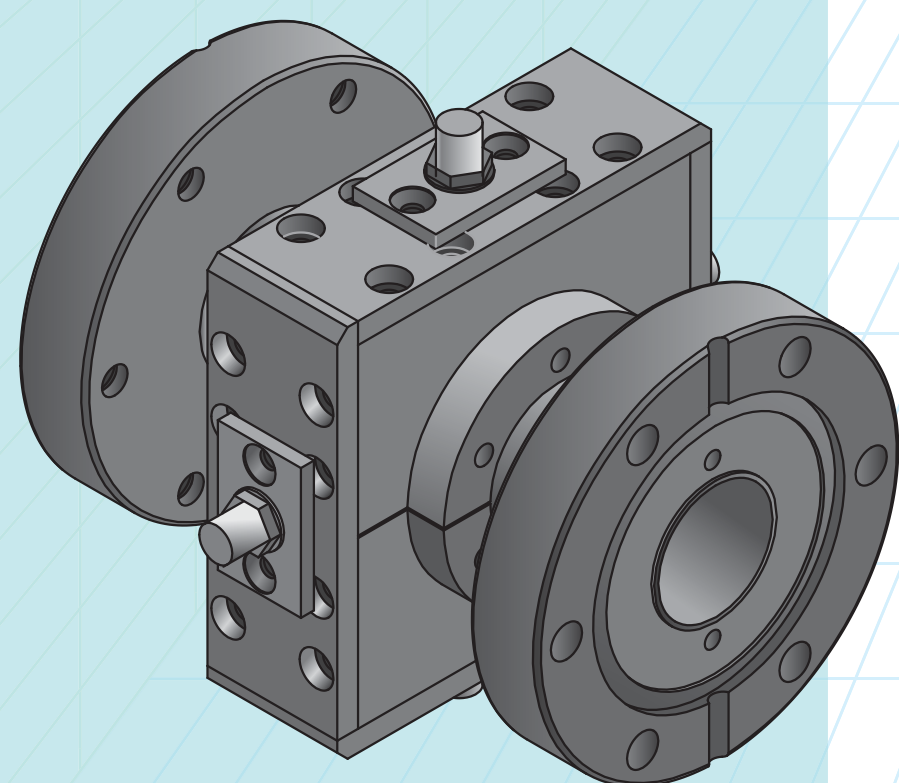
This is one of the most important components in the beamline being applied to monochromize XFEL beam.

As well as ultra-precise positioning technology required for ordinal SR Double Crystal Monochromator, much higher performance such as UHV-compatibility, compact design and ultra-high stability against vibration and time-dependence shall be requested.

Beamline Component for XFEL

CT-type Beam Current Monitor

This is a core monitor with 4 terminal outputs to measure current value of accelerating electron beam.

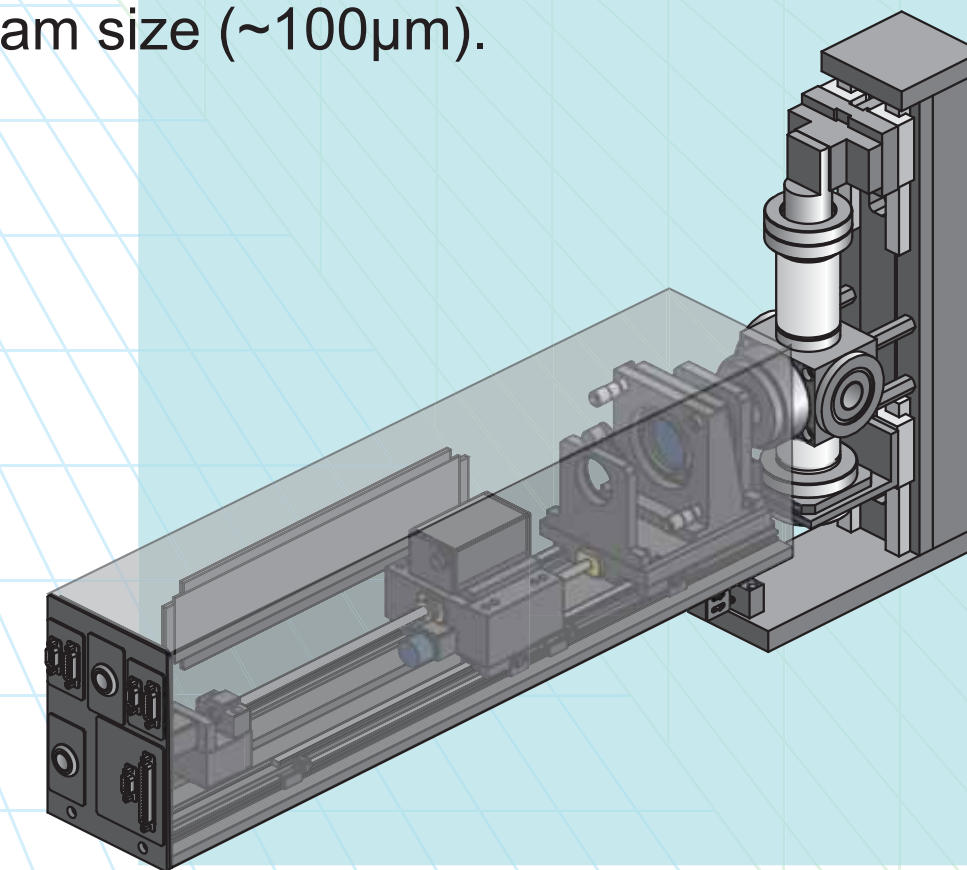


Energy Slit for Chicanes in Source Section

This is a kind of slits system acting to cut off halo element of the electron beam and to remove dark current on the accelerator tubes.

Beam Profile Monitor

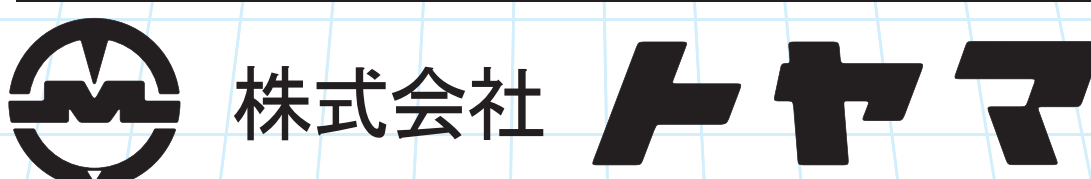
This is a beam profile monitor to measure even up to the very small beam size (~100μm).



このポスターは掲載しております製品の性能および仕様、外観は改良のため予告なしに変更することがありますので、御了承ください。

Please note that the above specifications may be changed without notice due to model improvements or modifications.

サイエンスをかたちにするテクノロジー



〒252-0003 神奈川県座間市ひばりが丘4丁目13番16号
TEL. (046) 253-1411 (代表) FAX. (046) 253-1412
E-Mail : salesdept@toyama-jp.com
Internet Home Page : <http://www.toyama-jp.com>

Pioneering New Horizons in Science



4-13-16, Hibarigaoka, Zama-shi, Kanagawa
252-0003, Japan
Tel: +81-46-253-1411 Fax: +81-46-253-1412